

Slate Installation

1. This table has a new patented slate leveling system. See Figure 1. Prior to installing the slate, assure that all the hex base levelers are below the top surface of the sills and cross supports. See Step 4 below for their usage.
2. Placing slate at either end of the table, place an end section of slate on the baseframe. Position slate with the proper overhang as shown in Figure 2. Then add the center and remaining end section of slate. Move the entire slate assembly carefully to correct overhang dimensions.
3. To attach the slate, drill $3/16"$ pilot holes for wood screws. Make sure the pilot hole angle matches countersunk hole in slate. See Figure 3. Insert two (2) #16 x 3" flat head wood screws into the head and foot end sections of slate and tighten. Then insert the remaining screws, tightening them alternately left and right until all screws are fastened. When done in this manner, slate joints will be tight.
4. After the slate has been installed, check the level of the table using a precision carpenter's level or machinist's level. For major levelness corrections, rotate the leveler castings as required. Tighten the allen head set screw at this time in the Quick Set base. For critical leveling, determine the areas to be adjusted, slightly loosen the slate screw in the area to be adjusted, and using a slot head screwdriver, turn the hex base leveler counterclockwise until adjustments are made. Retighten slate screws.

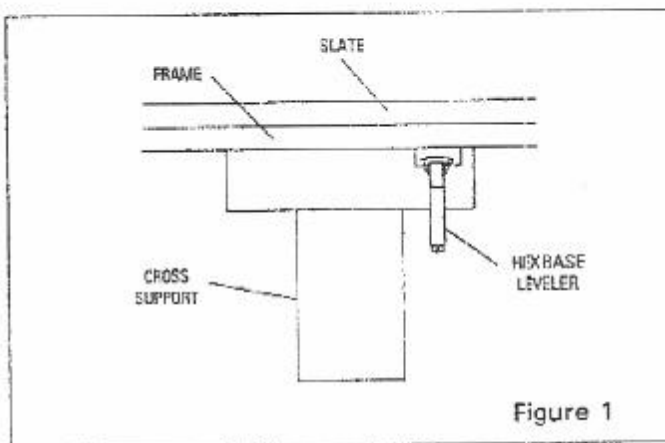


Figure 1

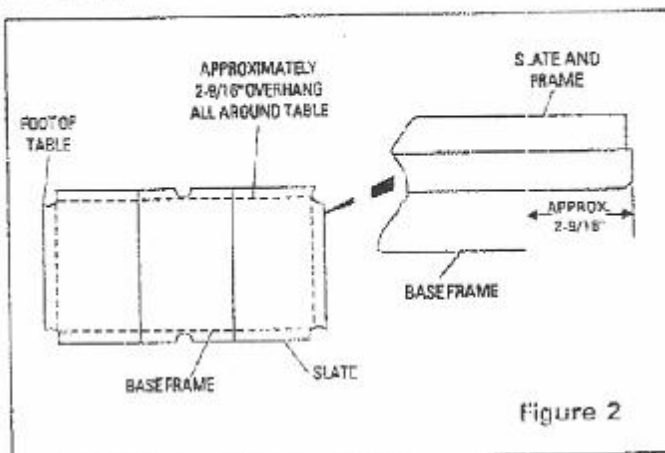


Figure 2

NOTE: In the leveling process, make sure the slate joints are flush.

5. Be sure the pocket cutouts in the slate have a smooth radius around the top edge of the cutouts. If necessary, sand around the top edges of each cutout to obtain at least a $1/8"$ radius.
6. With the table completely level, the slate joints and any chips in the playing surface should be filled with wax or "Rock Hard" putty. When dry, scrape off or sand until smooth.
7. To make cloth reinforcement pieces, cut a 1" wide strip of cloth from one end of a bed cloth. Cut six pieces of cloth approximately 8" long and apply a strip of cloth to each pocket cutout. Bond strips securely with contact adhesive as shown in Figure 3.

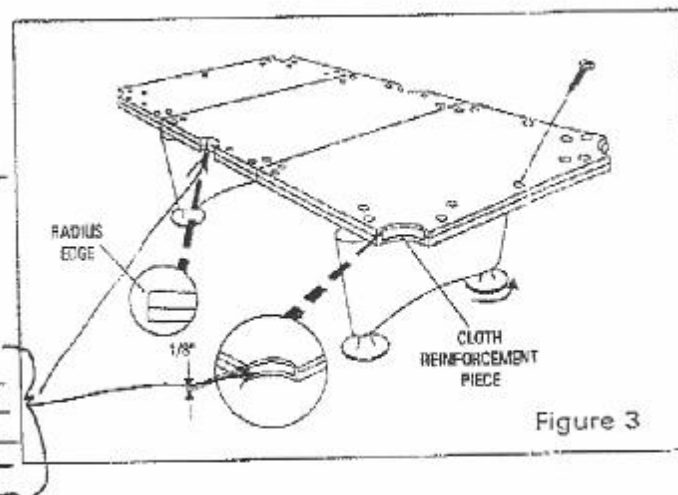


Figure 3

Call Crown IV 3

ABC Imst
Wie man einen Billardtisch bespannt ...

HOW TO ATTACH BRUNSWICK BILLIARD CLOTH FRAMED SLATE

The following instructions for attaching Brunswick billiard cloth applies to all models of Brunswick billiard tables.

When covering billiard tables, clean the slate thoroughly. Recheck tables for levelness and shim where necessary. If the plaster of paris in the slate joints is broken, replaster the joints using a putty knife. When plaster is dry, sand the joints until the slate is perfectly smooth.

Lay the bed cloth over top of slate, nap side up, with nap running from head to foot end of table.

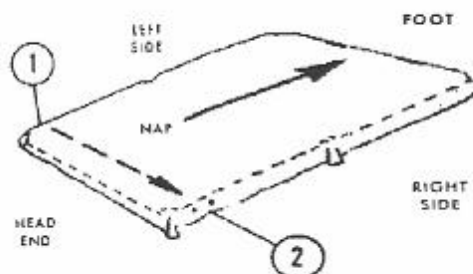
To determine direction of nap, run hand lightly over surface of cloth — if it meets a slight resistance, it is going against the nap.

Leave only enough cloth at head and left side to permit tacking into wood slate frame. (This is especially important on 5 x 10 table.) Leave balance of cloth overhang, at foot and right side.

Do not spread tacks on bed cloth — keep them in a small container that slides over cloth.

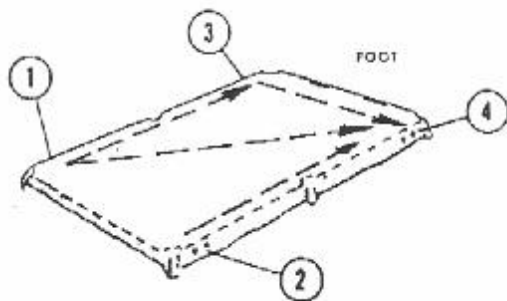
1. Tack cloth securely to wood slate frame at (1) with two tacks approximately 3" apart.
2. Stretch cloth across the table and tack securely at (2) again using two tacks 3" apart.

A.



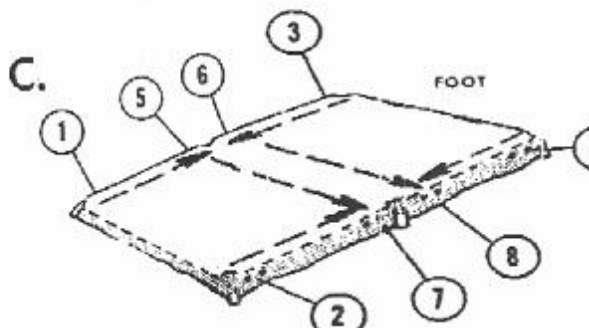
3. Stretch cloth from (1) to (3) and tack securely into wood slate frame at left side of table.
4. Stretching cloth across table from (3) and pulling from (2), tack cloth at (4).

B.



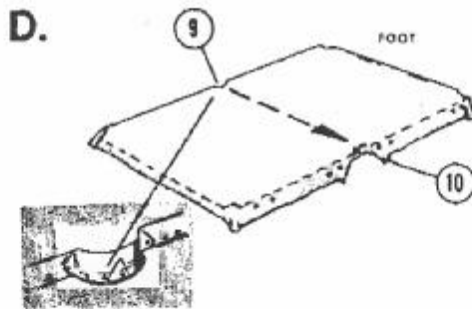
5. On left side stretch cloth tightly from (1) toward side pocket opening and tack securely at (5).
6. Repeat operation 5, stretching cloth from (3) and tacking at (6).
7. On right side of table, grasp cloth firmly, stretch across table from (5) and toward side pocket from (2) and tack at (7).
8. Repeat operation 7, stretching from (6) and toward side pocket from (4) and tack at (8).

C.

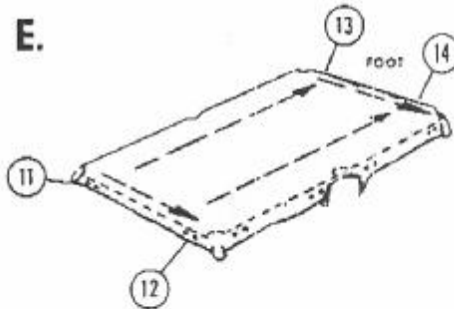


ABC Imst
Wie man einen Billardtisch bespannt ...

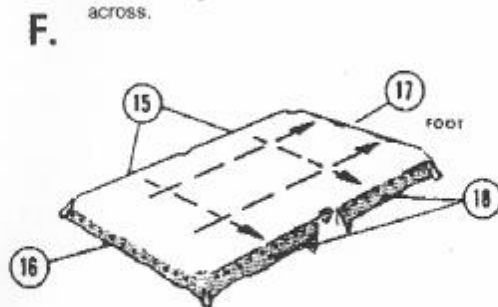
9. At (9), cut a short slit in cloth at edge centered on side pocket opening. Grasp cloth firmly above this slit, pull cloth into side pocket opening and tack to undercut of slate frame. Complete tacking of cloth to side pocket opening, making sure that cloth is tacked to undercut of slate frame.
10. Stretching cloth tightly across the table from (9) repeat the above operation at (10). Be sure to tack cloth to undercut of slate frame.



11. At head end of table, tack cloth at (11) maintaining uniform overhang.
12. Pull cloth from (11) toward (12) and tack securely keeping cloth even along head end.
13. Stretch cloth firmly from (11) to Foot End of table and tack at (13).
14. Stretch cloth tightly from (12) and (13) toward (14) and tack securely.



15. Tack all of left side on 3" centers keeping cloth even along wood slate frame.
16. Tack balance of head end on 3" centers also keeping cloth even along wood slate frame.
17. Stretch cloth tightly toward Foot End of table, tacking on 3" centers all the way across.
18. Stretch cloth tightly across table to Right Side, tacking on 3" centers all the way across.



19. Stretch cloth into corner pocket openings and tack to undercut of slate frame.
20. Trim off excess cloth with a sharp knife.

NOTE: When installing cloth on carom tables, eliminate operations No. 5, 6, 7, 8, 9, 10, and 19. Otherwise follow same procedure as outlined above. Occasionally cloth will stretch, leaving wrinkles at the pockets. To re-tighten, remove only one end rail and one side rail. Pull cloth taut, and re-tack along the open end and side to restore original tightness.

